

## Descriptions

*The PCB are collected from upstream machine onto a shuttle conveyor and pushed into designated magazine. Shuttle conveyor moves sideways between upstream machine and magazines.*

## Standard features

- Panasonic PLC Program control.
- Selectable pitch settings
- Good or bad board separation.
- Unique guide rail driven positioning of shuttle conveyor.
- Towerlight display for machine status.
- Additional magazines buffering capacity available upon request.
- Conveyor width adjustment using hand wheel.
- Automatic magazine alignment by upper- and lower pneumatic lamping.
- Regulated pressure on attached pneumatic pusher.
- User friendly "soft touch" LED membrane control panel.
- Pusher position adjustable to centre of the magazine.
- SMEMA compatible.

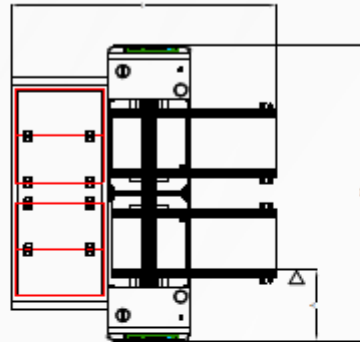
## Technical specifications

- Transport height: 910mm ±30mm
- Transfer direction: Left to right
- Operation side: Front of the machine
- Fixed rail: Front of the machine
- Interface: SMEMA
- Conveyer concept: ESD flat belt
- Belt speed: 16m/min
- PCB edge support: 4mm
- Components clearance: Top 30 mm, bottom 30 mm  
(depends on pitch)
- Power supply: 230 VAC/50 Hz/1 Ph
- Power consumption: 300VA max. or specify
- Air supply: 4-6 bar
- Air consumption: 30 ltr/min max.
- PCB unloading time: ± 10 seconds
- Magazine change-over time: ± 30 seconds
- Pitch distance: 10.20.30.40mm pitch or specify.
- Max. total magazine weight: 50 kg each or specify

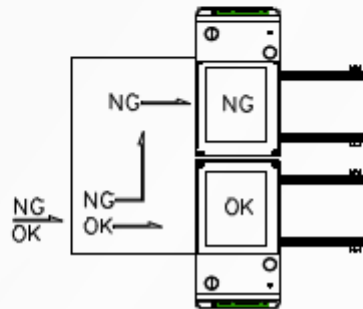
## Options

- Automatic width adjustment for shuttle conveyor.
- Additional magazine capacity.
- Enclosed construction improve level of safety.
- Other options available on request

### Structure



### Schematic



Model No	TN-NUL250	TN-NUL330	TN-NUL390	TN-NUL460
Machine Dimension (L x W x H)	1690 x 1450 x 1200mm	1930 x 1610 x 1200mm	2170 x 1730 x 1200mm	2170 x 1870 x 1200mm
Weight	271kg	281kg	301kg	311kg
PCB L x W ( Min~Max )	(60 x 60)~(350 x 250)mm	(60 x 60)~(455 x 330)mm	(60 x 60)~(530 x 390)mm	(60 x 60)~(530x 4600)mm
PCB Thickness	0.6mm – 4.5mm	0.6mm – 4.5mm	0.6mm – 4.5mm	0.6mm – 4.5mm
Magazine Dimensions (max.)	335 x 320 x 563	460 x 400 x 563	535 x 460 x 570	535 x 530 x 570
Fixed rail to front dimension(A)	380mm	380mm	380mm	380mm

\*Customized is available\*